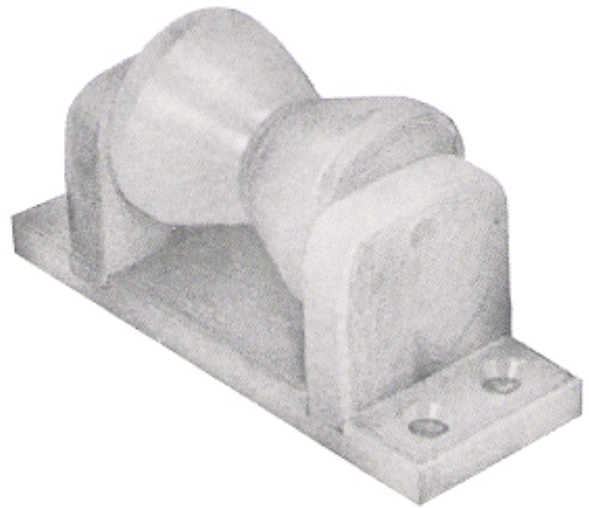


ROLLERS (Medium Duty)

FOR CATHODE ROD AGITATION

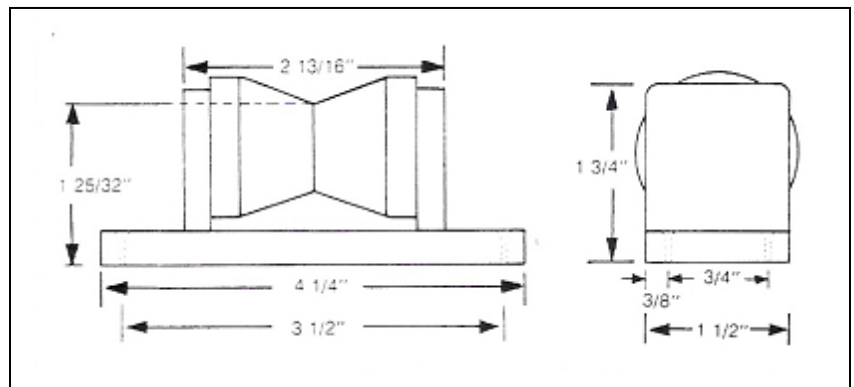
Leatherwood Plastics' corrosion-proof agitation rollers feature the following advantages:

- Corrosion-resistant polypropylene base and roller to survive plating room environment
- Stainless steel shaft and mounting hardware
- Designed for use with rods from 1/2" to 1" in diameter



Light Duty Polypropylene Rollers are available, for general use on small plating tanks.

- Stainless steel brackets
- Designed to take rods up to 5/8" in diameter
- Stainless steel mounting hardware included



© 2008 Leatherwood Plastics
All specifications are subject to change without notice.



DIVISION OF LEATHERWOOD, INC.

DESIGN, PLASTIC FABRICATION AND PROCESS EQUIPMENT FOR THE
SEMICONDUCTOR, PRINTED CIRCUIT BOARD AND PLATING INDUSTRIES

1426 Crescent Avenue :: Lewisville, Texas 75057

(972) 221-7656 :: Fax (972) 436-5735

www.leatherwood.com :: info@leatherwood.com