

EXHAUST SYSTEMS

Designed and built to customer requirements, Leatherwood Plastics' exhaust systems are manufactured from corrosion-resistant materials. Rigid or flexible duct and installation are available, as well as a full line of PVC blowers, scrubbers, and push air fans to provide proper fume removal.

Many styles of hoods are available to meet your ventilation requirements, and can be built as a separate unit or incorporated into a modular tank system or wet process bench.

- Corrosion-resistant welded PVC construction
- Structural reinforcing for added strength
- Face or stack dampers
- Drain couplings on plenums
- Round or square duct
- Butterfly or standard rain caps
- Duct fittings and transitions as required



9379: Exhaust Hood



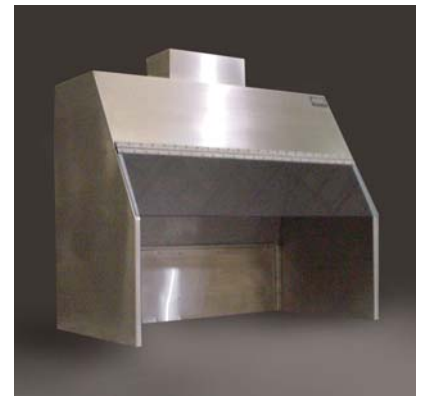
9385: Exhaust Hood



9396: Exhaust Enclosure



9230: Stainless Steel Fume Hood



0831: Exhaust Hood

© 2008 Leatherwood Plastics
All specifications are subject to change without notice.



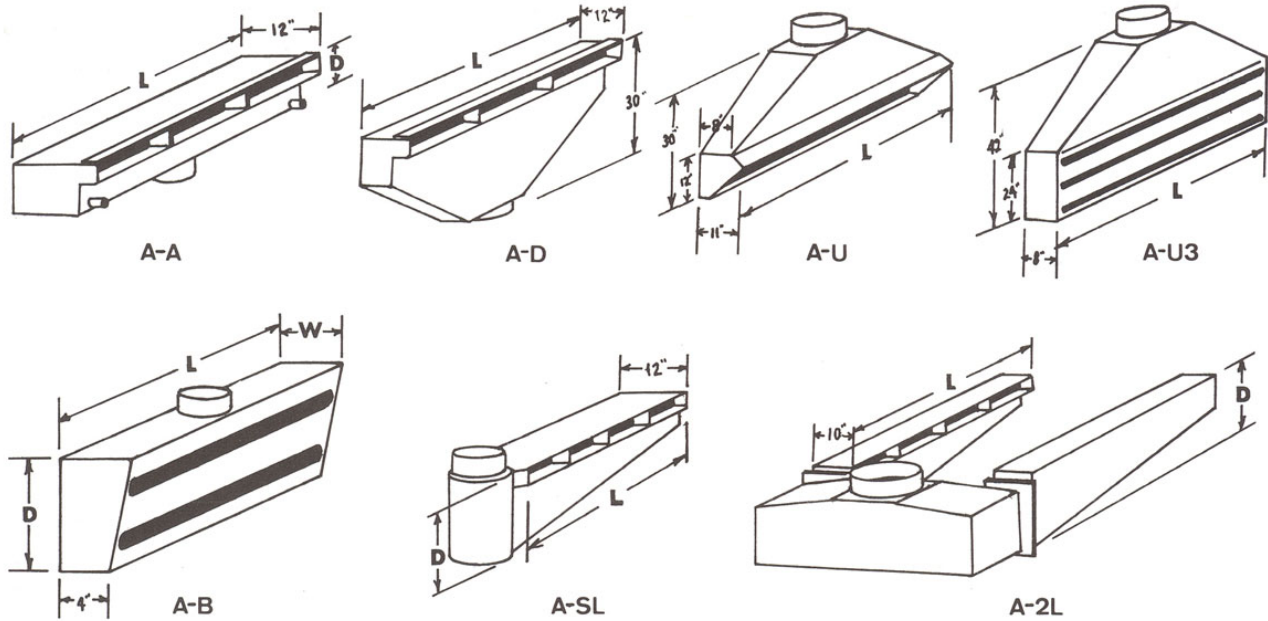
DIVISION OF LEATHERWOOD, INC.

DESIGN, PLASTIC FABRICATION AND PROCESS EQUIPMENT FOR THE
SEMICONDUCTOR, PRINTED CIRCUIT BOARD AND PLATING INDUSTRIES

1426 Crescent Avenue :: Lewisville, Texas 75057

(972) 221-7656 :: Fax (972) 436-5735

www.leatherwood.com :: info@leatherwood.com



| A-A | | A-D | A-U | A-U3 | A-B | | | A-SL | | A-2L | |
|-----|----|-----|-----|------|-----|----|----|------|----|------|----|
| L | D | L | L | L | L | D | W | L | D | L | D |
| 24 | 11 | 24 | 24 | 24 | 24 | 12 | 8 | 24 | 11 | 24 | 11 |
| 36 | 15 | 36 | 36 | 36 | 36 | 12 | 8 | 36 | 15 | 36 | 15 |
| 48 | 18 | 48 | 48 | 48 | 48 | 12 | 12 | 48 | 18 | 48 | 18 |
| 60 | 21 | 60 | 60 | 60 | 60 | 18 | 12 | 60 | 21 | 60 | 21 |
| 72 | 25 | 72 | 72 | 72 | 72 | 18 | 14 | 72 | 25 | 72 | 25 |
| 84 | 28 | 84 | 84 | 84 | 84 | 24 | 16 | 84 | 28 | 84 | 28 |
| 96 | 31 | 96 | 96 | 96 | 96 | 24 | 18 | 96 | 31 | 96 | 31 |
| 108 | 34 | 108 | 108 | 108 | 108 | 24 | 18 | 108 | 34 | 108 | 34 |
| 120 | 38 | 120 | 120 | 120 | 120 | 30 | 18 | 120 | 38 | 120 | 38 |
| 132 | 41 | 132 | 132 | 132 | 132 | 30 | 20 | 132 | 41 | 132 | 41 |

© 2008 Leatherwood Plastics
 All specifications are subject to change without notice.



DIVISION OF LEATHERWOOD, INC.

DESIGN, PLASTIC FABRICATION AND PROCESS EQUIPMENT FOR THE SEMICONDUCTOR, PRINTED CIRCUIT BOARD AND PLATING INDUSTRIES

1426 Crescent Avenue :: Lewisville, Texas 75057

(972) 221-7656 :: Fax (972) 436-5735

www.leatherwood.com :: info@leatherwood.com